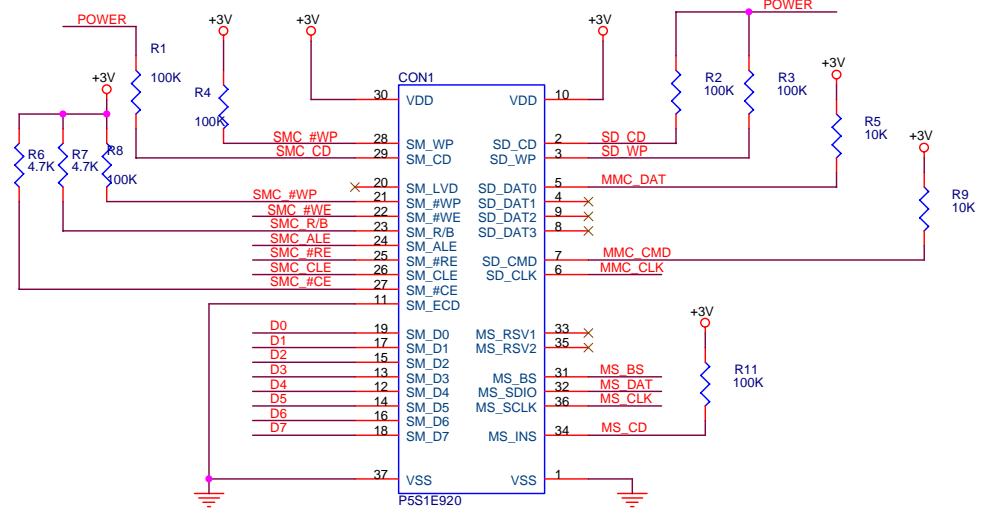
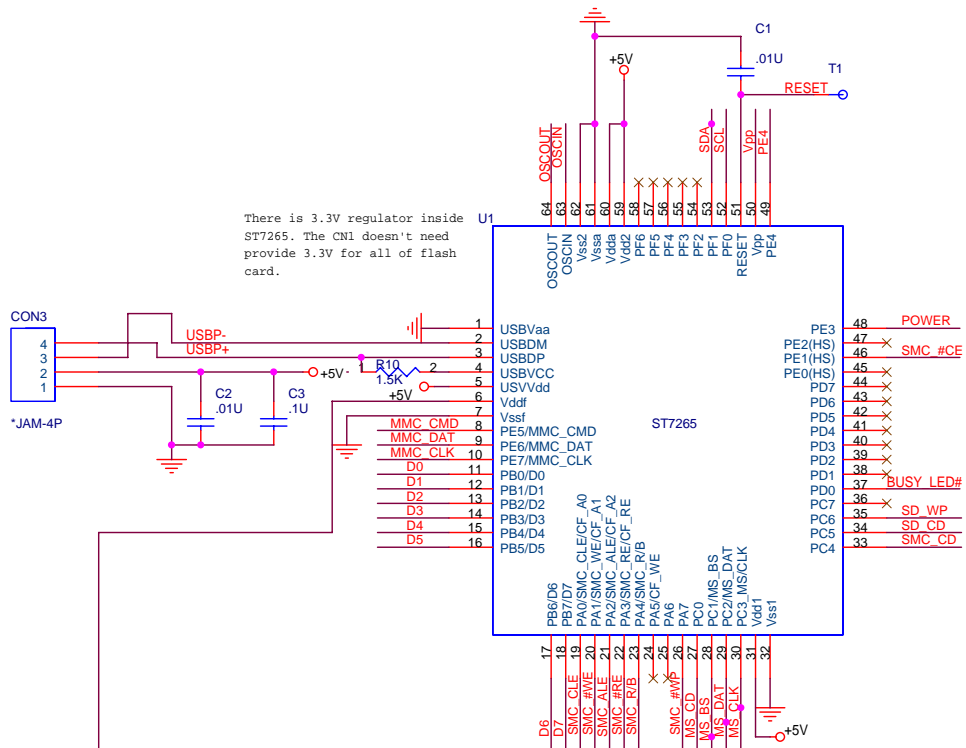


| MODEL | REV | CHANGE LIST | Model | ZP1 MS BOARD | |
|--------------|-----|----------------------------|-------|--------------|----|
| | | | Page | FM | TO |
| ZP1 MS BOARD | 1A | First Release | 1 | 1A | 3A |
| | 3A | Reference ECN E200307-0524 | | | |

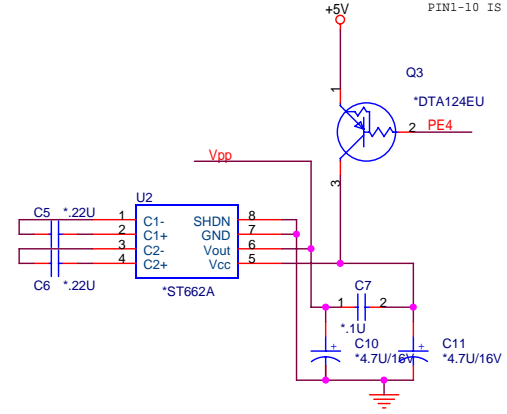


| | | | | | |
|-------------------------|---------------------|-----------------------|------------------|---------|--|
| PROJECT : ZP1 | PCBA NO.36ZP1RB0005 | REV: 3A | DOC. NO: 204 | | |
| APPROVED BY : Jason Liu | CHECK BY: Jason Liu | DRAWING BY: Kent Chen | DATE :07/16/2003 | SHEET 1 | |

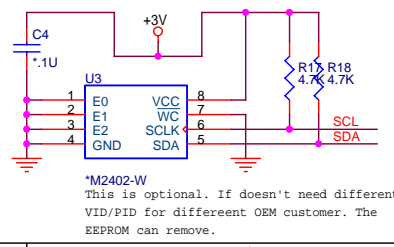
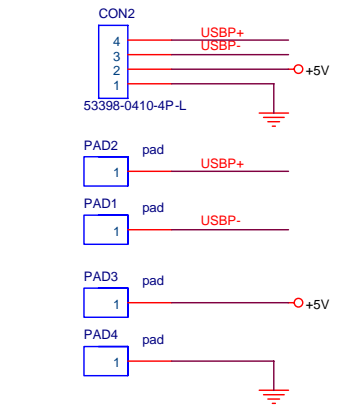
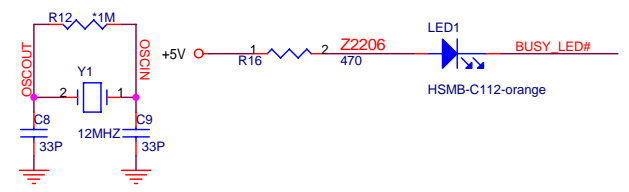
There is 3.3V regulator inside ST7265. The CN1 doesn't need provide 3.3V for all of flash card.



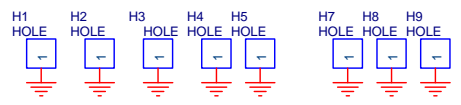
PIN30-37 IS MS
 PIN1,10-30,37 IS SMC
 PIN1-10 IS SD&MMC




For ISP burn programming, system at working state



*M2402-W
 This is optional. If doesn't need different VID/PID for different OEM customer. The EEPROM can remove.





PROJECT : ZP1
Quanta Computer Inc.

| | | |
|--------|-------------------------------|--------------|
| Size | Document Number | Rev |
| Custom | ZP1 4-in-1 Card Reader | 1A |
| Date: | Wednesday, September 17, 2003 | Sheet 1 of 1 |

www.s-manuals.com